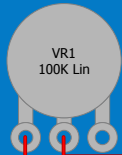
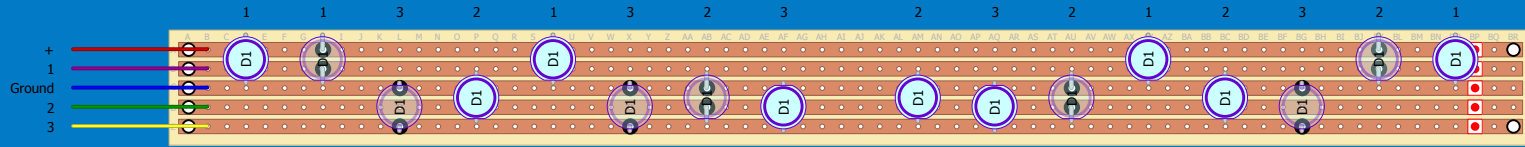
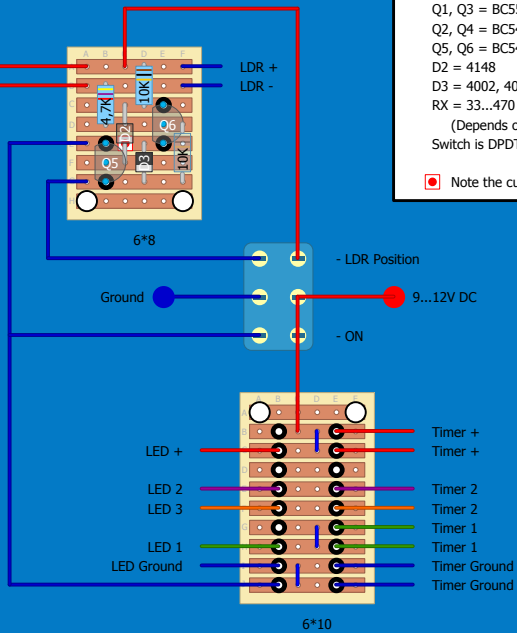


# LED Panel

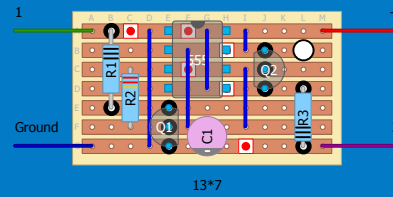


## LDR Switch

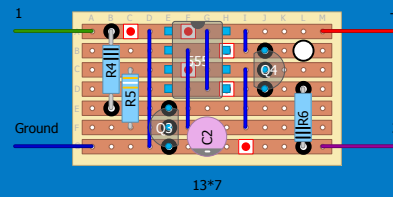


IC1, IC2 = NE555  
 Q1, Q3 = BC557 (PNP)  
 Q2, Q4 = BC547 or 549 (NPN)  
 Q5, Q6 = BC547 or 549 (NPN)  
 D2 = 4148  
 D3 = 4002, 4004, 4007...  
 RX = 33...470 Ohm  
 (Depends on LED's operating voltage)  
 Switch is DPDT  
 Note the cut beneath D2

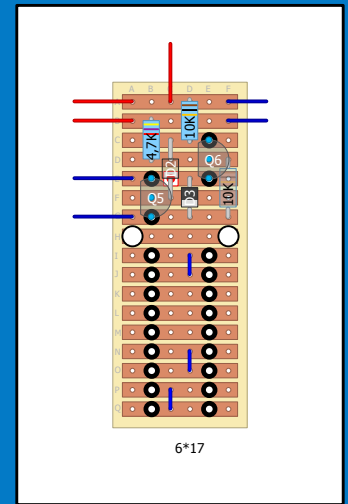
## Timer 1



## Timer 2



## LDR Panel



**"Randomly" illuminating night light**

Includes two NE555 Timers and LDR switch